

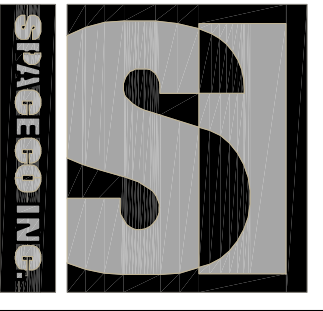


ELECTRICAL SITE PLAN

SCALE: 1"=50'-0"



KORNACKI & ASSOCIATES, INC.
 CONSULTING ELECTRICAL ENGINEERS
 5400 SOUTH WESTBORO DRIVE
 ROSEMONT, ILLINOIS 60018
 (847) 798-3333 FAX: (847) 798-5014
 Corporation Registration #184003374



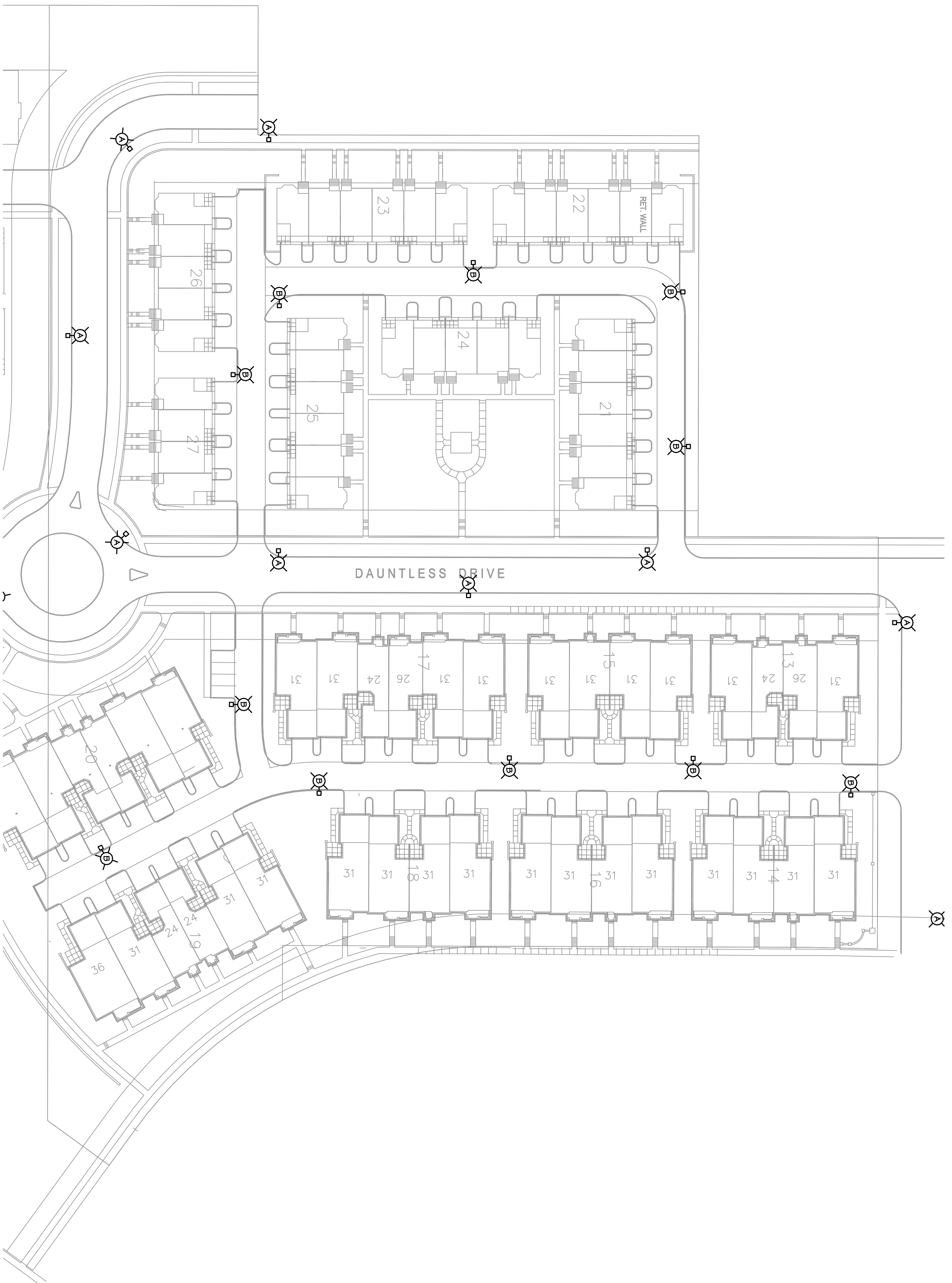
CONSULTING ENGINEERS
SITE DEVELOPMENT ENGINEERS
LAND SURVEYORS
 9575 W. Higgins Road, Suite 700,
 Rosemont, Illinois 60018
 Phone: (847) 696-4060 Fax: (847) 696-4065

WESTGATE AT THE
 GLEN
 GLENVIEW, ILLINOIS

NO.	DATE	REMARKS

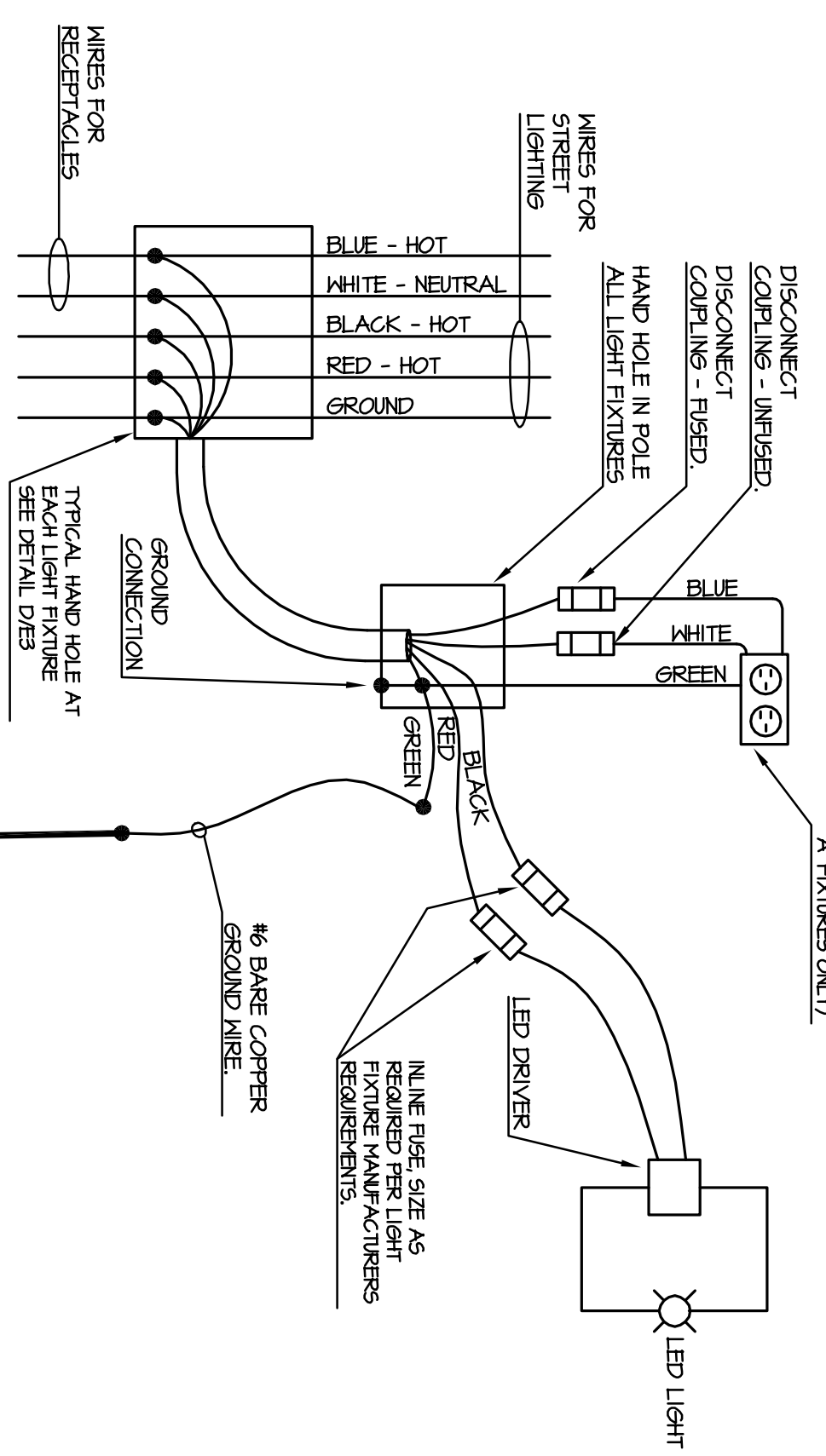
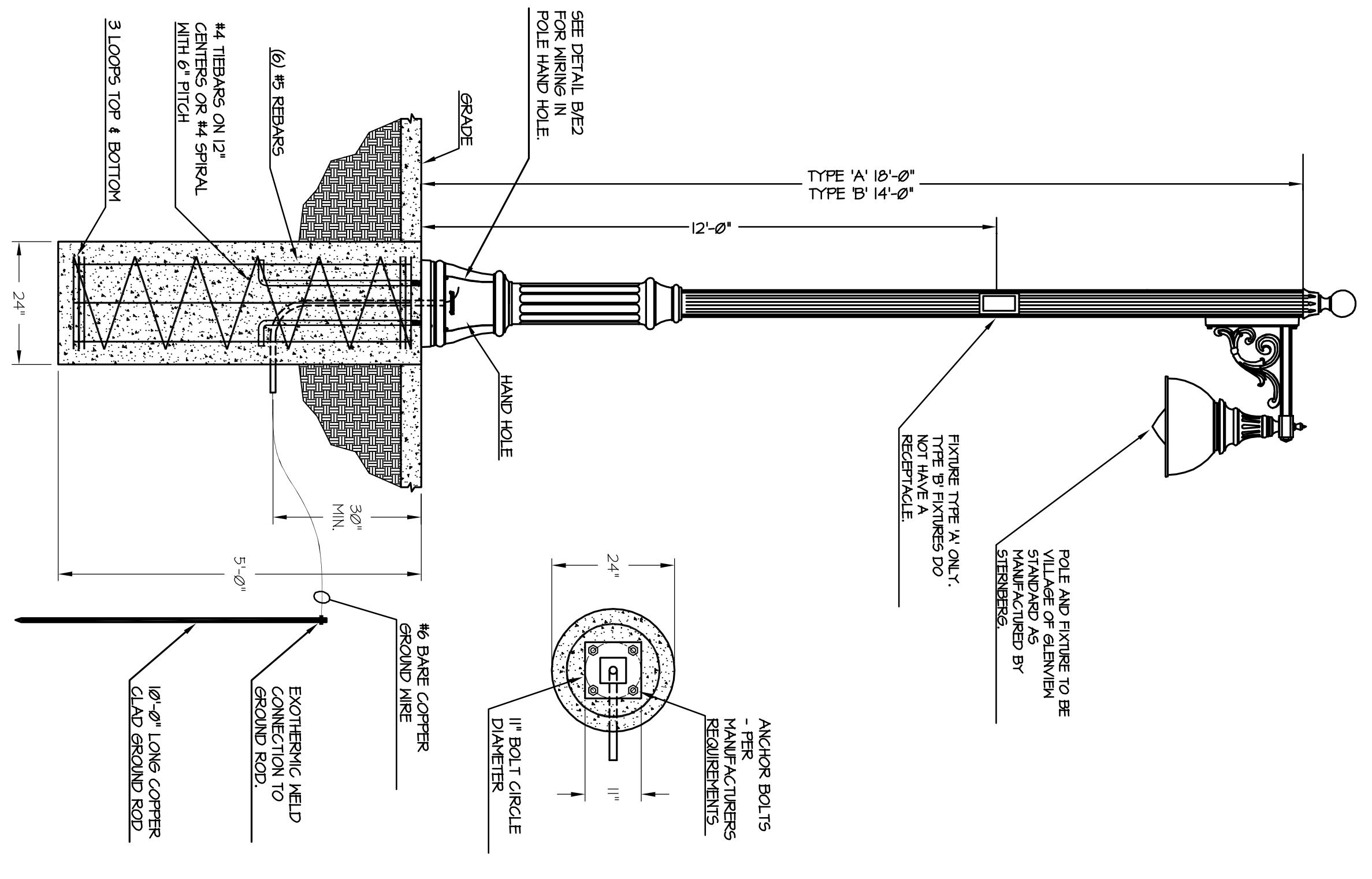
NO.	DATE	REMARKS

FILENAME: _____
 DATE: 08/19/13
 JOB NO. 13043
 SHEET **E1** OF 7



ELECTRICAL SITE PLAN
SCALE: 1"=50'-0"

**FIGURE TYPES 'A' & 'B'
POLE DETAIL A/E2**



**TYPICAL POLE BASE
WIRE SPLICING DETAIL B/E2**

KORNACKI & ASSOCIATES, INC.
CONSULTING ELECTRICAL ENGINEERS
5400 SOUTH WESTBORO DRIVE
ROSEMONT, ILLINOIS 60018
(820) 784-3223 FAX: (820) 784-5014
Corporate Registration #184003374

SPINTECO INC.
CONSULTING ENGINEERS
LAND SURVEYORS
9575 W. Higgins Road, Suite 700,
Rosemont, Illinois 60018
Phone: (847) 696-4060 Fax: (847) 696-4065

DATE: 08/19/13
JOB NO. 13043
SHEET **E2** OF 7

**WESTGATE AT THE GLEN
GLENVIEW, ILLINOIS**

NO.	DATE	REMARKS

NO.	DATE	REMARKS



ELECTRICAL SITE PLAN
SCALE: 1"=50'-0"



NO.	DATE	REMARKS

NO.	DATE	REMARKS

WESTGATE AT THE
GLEN
GLENVIEW, ILLINOIS

CONSULTING ENGINEERS
SITE DEVELOPMENT ENGINEERS
LAND SURVEYORS

9575 W. Higgins Road, Suite 700,
Rosemont, Illinois 60018
Phone: (847) 696-4060 Fax: (847) 696-4065



FILENAME: _____

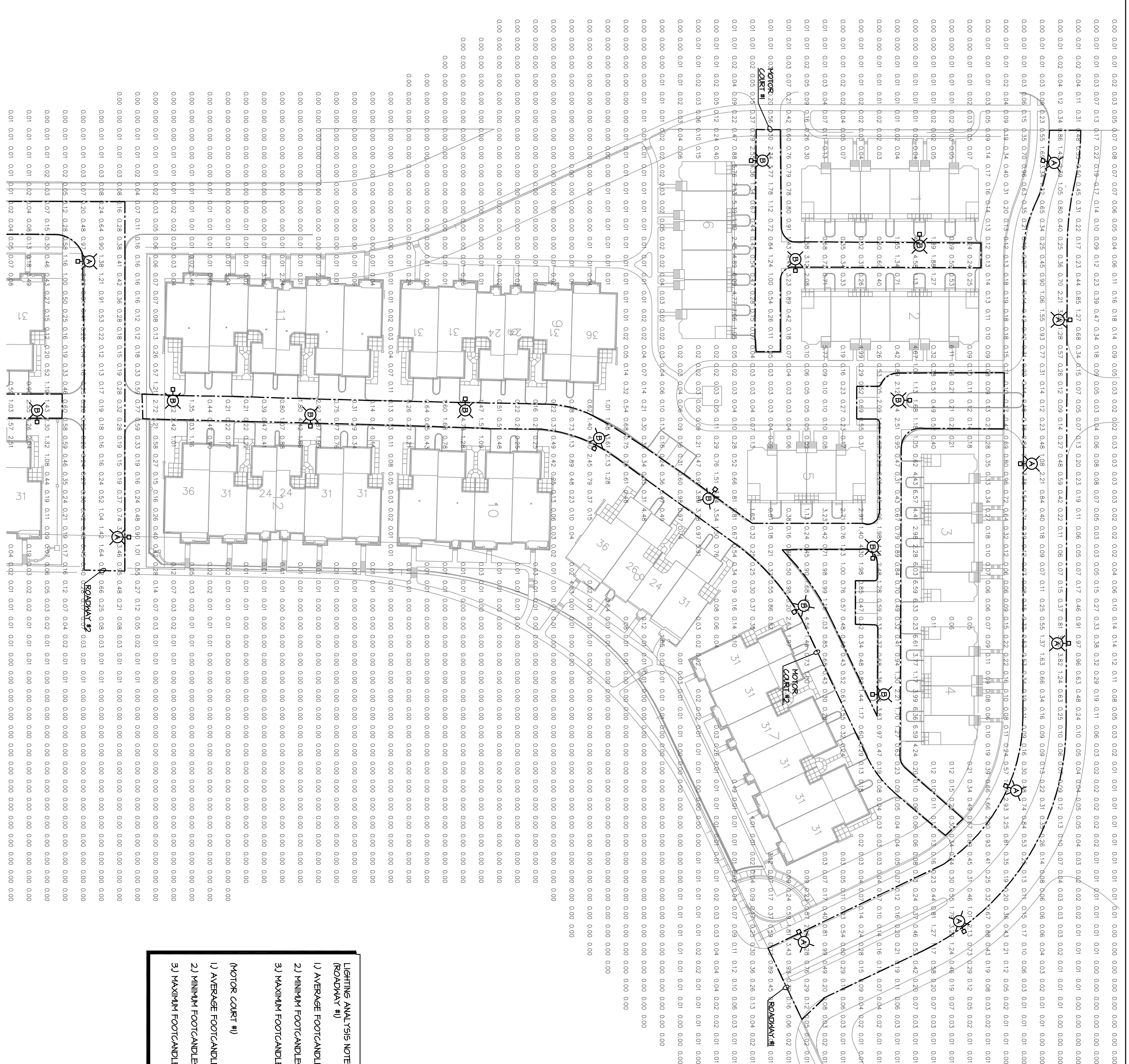
DATE: 08/19/13

JOB NO. 13043

SHEET

E3
OF 7

KORNACKI & ASSOCIATES, INC.
CONSULTING ELECTRICAL ENGINEERS
5400 SOUTH WESTBORO DRIVE
ROSEMONT, ILLINOIS 60018
(847) 784-3233 FAX: (847) 784-5014
Corporate Registration #18400372



PHOTOMETRIC SITE PLAN
SCALE: 1"=50'

- | LIGHTING ANALYSIS NOTES: | |
|--------------------------|------------------------------|
| ROADWAY #1) | 1) AVERAGE FOOTCANDLES: 0.68 |
| | 2) MINIMUM FOOTCANDLES: 0.06 |
| | 3) MAXIMUM FOOTCANDLES: 3.92 |
| MOTOR COURT #1) | 1) AVERAGE FOOTCANDLES: 1.08 |
| | 2) MINIMUM FOOTCANDLES: 0.04 |
| | 3) MAXIMUM FOOTCANDLES: 4.58 |
| MOTOR COURT #2) | 1) AVERAGE FOOTCANDLES: 0.71 |
| | 2) MINIMUM FOOTCANDLES: 0.02 |
| | 3) MAXIMUM FOOTCANDLES: 3.54 |
| MOTOR COURT #3) | 1) AVERAGE FOOTCANDLES: 1.08 |
| | 2) MINIMUM FOOTCANDLES: 0.05 |
| | 3) MAXIMUM FOOTCANDLES: 4.87 |

NO.	DATE	REMARKS

WESTGATE AT THE GLEN
GLENVIEW, ILLINOIS

CONSULTING ENGINEERS
SITE DEVELOPMENT ENGINEERS
LAND SURVEYORS

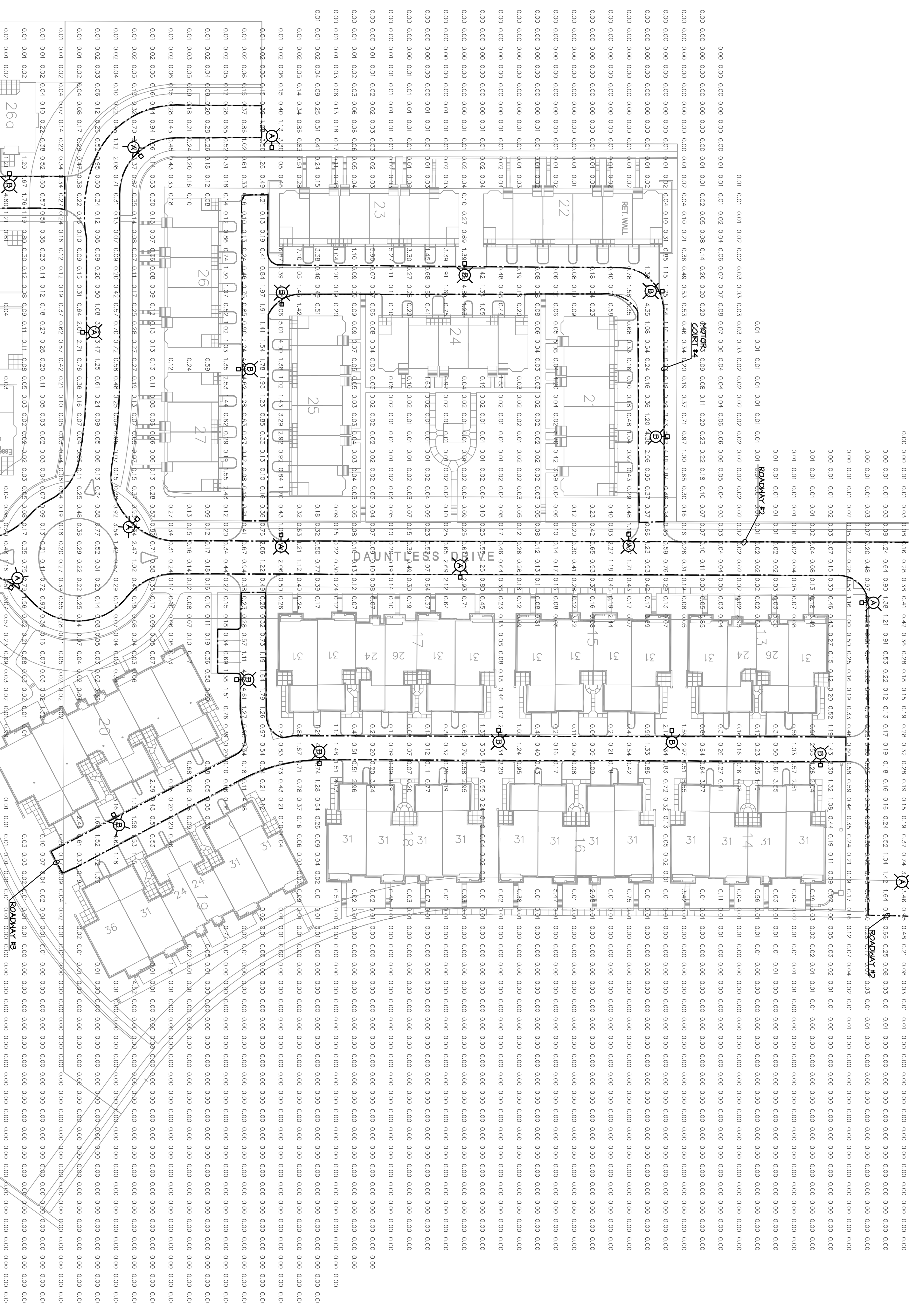
9575 W. Higgins Road, Suite 700,
Rosemont, Illinois 60018
Phone: (847) 696-4060 Fax: (847) 696-4065



KORNACKI & ASSOCIATES, INC.
CONSULTING ELECTRICAL ENGINEERS
5405 SOUTH WESTBORO DRIVE
CHICAGO, ILLINOIS 60632
(262) 784-3333 FAX: (262) 784-5014

Certificate Registration #184005374

DATE: 09/19/13
JOB NO. 13043
SHEET E4 OF 7

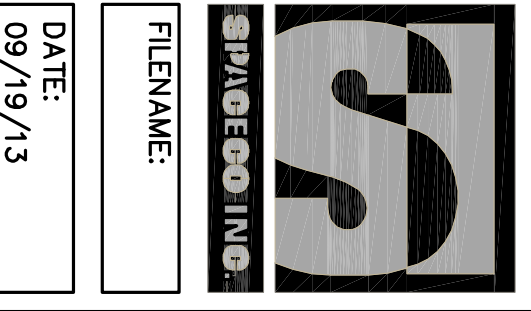


PHOTOMETRIC SITE PLAN
SCALE: 1"=50'-0"

- LIGHTING ANALYSIS NOTES**
(FOOTCANDLES)
- 1) AVERAGE FOOTCANDLES: 0.71
 - 2) MINIMUM FOOTCANDLES: 0.02
 - 3) MAXIMUM FOOTCANDLES: 35.4
- (MOTOR COURT #3)
- 1) AVERAGE FOOTCANDLES: 1.05
 - 2) MINIMUM FOOTCANDLES: 0.05
 - 3) MAXIMUM FOOTCANDLES: 4.75
- (MOTOR COURT #4)
- 1) AVERAGE FOOTCANDLES: 1.08
 - 2) MINIMUM FOOTCANDLES: 0.06
 - 3) MAXIMUM FOOTCANDLES: 4.96

KORNACKI & ASSOCIATES, INC.
CONSULTING ELECTRICAL ENGINEERS
5405 SOUTH WESTMORE DRIVE
ROSEMONT, ILLINOIS 60018
(847) 784-3333 FAX: (847) 784-5014
Corporate Registration #184003374

DATE: 09/19/13
JOB NO. 13043
SHEET E5 OF 7



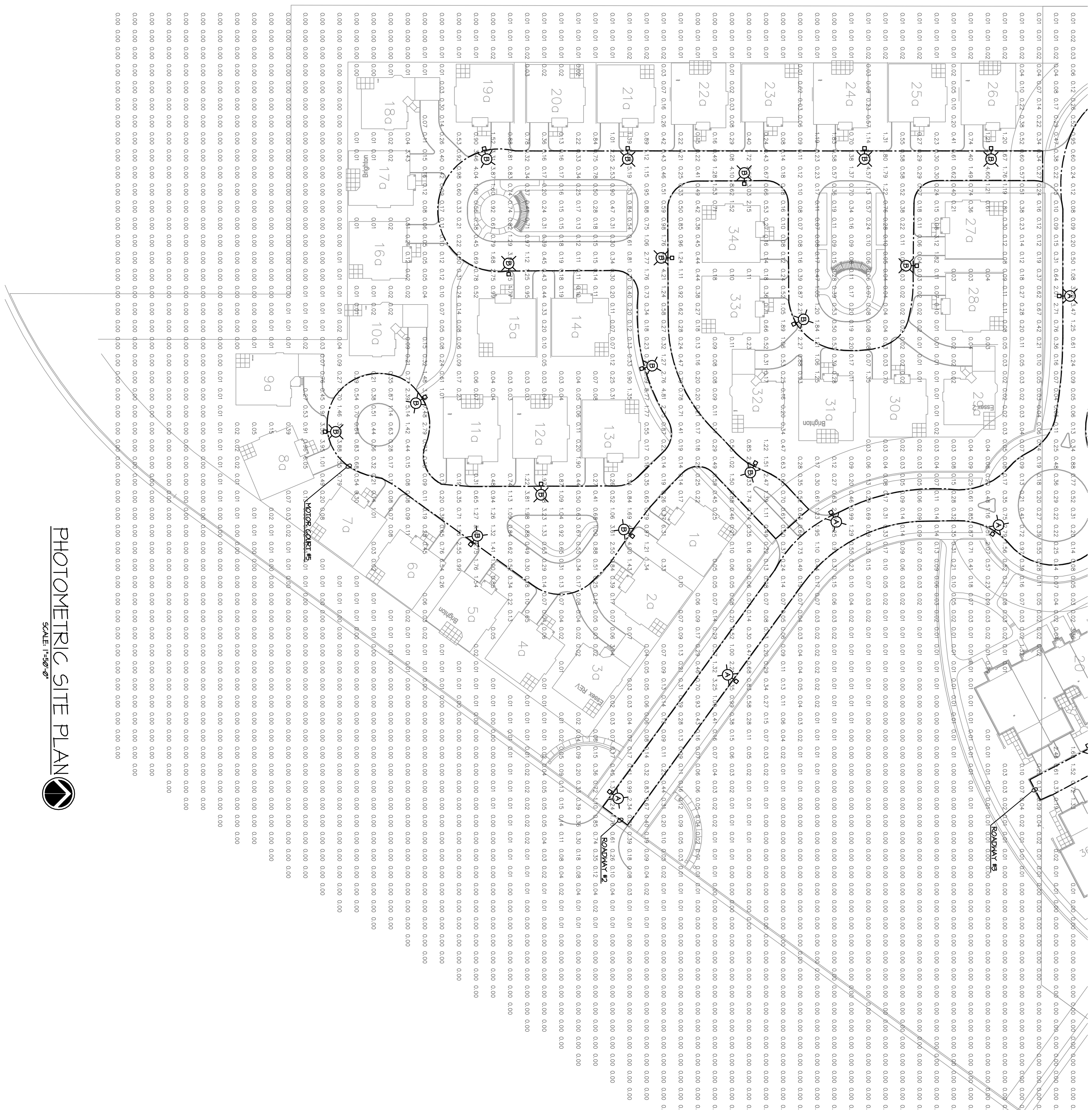
CONSULTING ENGINEERS
SITE DEVELOPMENT ENGINEERS
LAND SURVEYORS

9575 W. Higgins Road, Suite 700,
Rosemont, Illinois 60018
Phone: (847) 696-4060 Fax: (847) 696-4065

WESTGATE AT THE
GLEN
GLENVIEW, ILLINOIS

NO.	DATE	REMARKS

NO.	DATE	REMARKS



PHOTOMETRIC SITE PLAN
SCALE: 1"=50'-0"

LIGHTING ANALYSIS NOTES	
(FOOTCANDLE #2)	(MOTOR COURT #5)
1) AVERAGE FOOTCANDLES: 0.11	1) AVERAGE FOOTCANDLES: 1.04
2) MINIMUM FOOTCANDLES: 0.02	2) MINIMUM FOOTCANDLES: 0.02
3) MAXIMUM FOOTCANDLES: 3.54	3) MAXIMUM FOOTCANDLES: 5.14

KORNACKI & ASSOCIATES, INC.
CONSULTING ELECTRICAL ENGINEERS
5405 SOUTH WESTMORE DRIVE
ROSEMONT, ILLINOIS 60018
(847) 784-3333 FAX: (847) 784-5014
Corporate Registration #184005374

SP/ECO INC.
DATE: 09/19/13
JOB NO. 13043
SHEET **E6** OF 7

CONSULTING ENGINEERS
SITE DEVELOPMENT ENGINEERS
LAND SURVEYORS
9575 W. Higgins Road, Suite 700,
Rosemont, Illinois 60018
Phone: (847) 696-4060 Fax: (847) 696-4065

WESTGATE AT THE GLEN
GLENVIEW, ILLINOIS

NO.	DATE	REMARKS

NO.	DATE	REMARKS